

SPECIFICATION



HB4.5™ UFO HIGH BAY (Elegant & Durable)

Features



DUALRAYS
Intelligent . Healthy . Efficient

HB4.5 UFO High Bay

(Elegant & Durable)

- > ADC12 Die-castign Al,Integrally Mold Forging,Excellent Thermal Conductivity;
- > SAN'AN SMD2835(0.5W/1W) LEDs,LIFUD Round/Rectangle Driver;
- > IP65 / IK08 Protection;
- > 60°/90° (with PC/Al Cover)/120°(with Al Refelctor) Reflector is Necessary;
- > Corrosive Resistant Powder Coated Finish;
- > D-Mark tested for the use in paper production,wood processing etc with toughened glass;
- > Multiple Installations: Loop Hanging, Ceiling Mounting, Wall Mounting;
- > Various intelligent control: 1-10V, DALI, Motion sensor, Daylight sensor,Zigbee and Emergency;
- > safety chain reserved for labor cost saving and double safety assurance;
- > Customized supported for special projects;

- > ADC12 Die-castign Al,Integrally Mold Forging,Excellent Thermal Conductivity;
- > High Brightness SMD2835 LEDs (1W), LIFUD Round/Rectangle Driver;
- > IP65 / IK08 Protection;
- > 60°/90° (with PC/Al Cover)/120°(with Al Refelctor) Reflector is Necessary;
- > Corrosive Resistant Powder Coated Finish;
- > D-Mark tested for the use in paper production,wood processing etc with toughened glass;
- > Multiple Installations: Loop Hanging, Ceiling Mounting, Wall Mounting;
- > Various intelligent control: 1-10V, Motion sensor, Daylight sensor, Zigbee and Emergency;
- > No UV or IR and completely mercury free;
- > L70/B20 @ 68.000h;
- > Customized supported for special projects;

Options:

- > Driver: LIFUD / SOSEN Round/Rectangle Driver;Non-isolated Driver;
- > Controls and Dimming: 1-10V, Motion sensor,Daylight sensor,Zigbee and Emergency;
- > Reflector : PC reflector / Al reflector;
- > Lens : 60°/90°/120° beam angle optional;
- > Installation: Loop Hanging, Ceiling Mounting, Wall Mounting;

Application

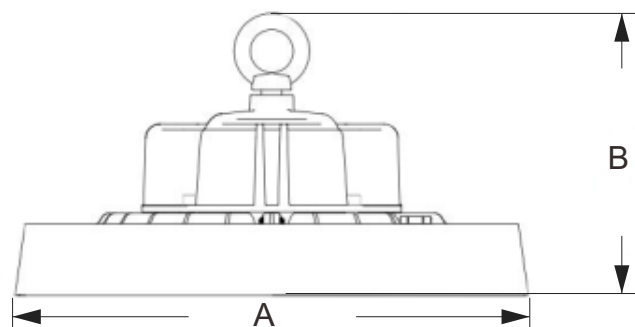
- > Factories / Warehouses / Supermarket
- > Exhibitions / Showrooms / Animal Farm
- > Barns and Riding Halls / Logistic Center
- > High Rooms and Halls / Stadium / Chemical Plant
- > Traditional lamp replacement

Technical Parameters

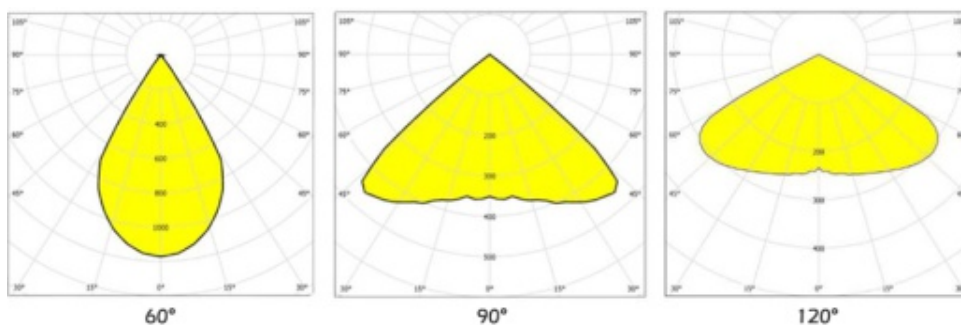
Model No.	DR-HB100-XGXP	DR-HB150-XGXP	DR-HB200-XGXP
System Watts/W	100W	150W	200W
System Efficiency/LPW	140LPW / 160LPW		
Lumen Output/lm	14.000/16.000±5%	21.000/24.000±5%	28.000/32.0000±5%
Rated Input Voltage/V	AC100~277V, 50/60Hz		
LEDs Light Source	SMD2835 (1W)		
SDCM	<5		
CCT/K	5000K for Standard (3000K/4000K/5700K/6500K Optional)		
CRI/Ra	>70Ra (>80Ra for Option)		
Power Factor	>0.95		
THD	<10%		
Beam Angle(Optional)	60°/90°/120°		
UGR	<25		
Surge Protection	3.75~4KV SPD built in Driver, Exterior SPD 20KV Meanwell Optional		
LED Driver	LIFUD / SOSEN Round/Rectangle Driver;		
IP Rating	IP65		
Dimming(Optional)	0/1-10V/Zigbee		
Sensor(Optional)	Motion Sensor, Daylight Sensor		
Emergency(Optional)	Available (30W @ 3Hrs for Standard)		
Protection Class	Class I		
Finishing Color(Optional)	Black RAL9017(Standard) / White RAL9016 Optional		
Material	Aluminum (Al or PC Reflector Optional)		
Lifespan/hrs	68.000 Hrs (Ta=30°C@L70)		
Operation Temp/°C	-40°C to + 50°C(-40°F to 122°F)		
Storage Temp/°C	-40°C to + 65°C(-40°F to 149°F)		
Installation(Optional)	Loop Hanging, Ceiling Mounting, Wall Mounting		
Certificate	CE(EMC+LVD),RoHS,ENEC ,D-Mark,SAA,RCM Available		

Dimensions

Character/Power	100W	150W	200W
A	Ø280mm	Ø280mm	Ø280mm
B	168mm	194mm	194mm



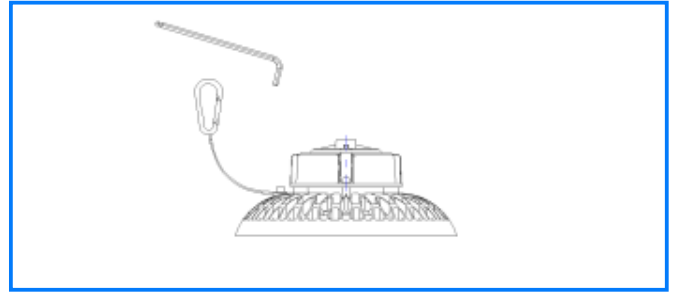
Photometry Disgram



Installation

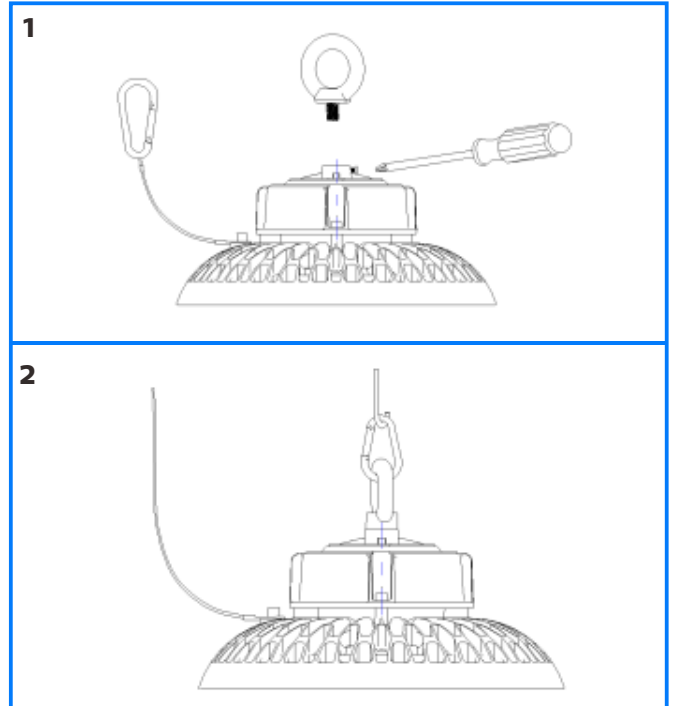
Preparatory Work

1. Loosen the screw with a screwdriver, tighten the ring of the safety chain.
2. Tighten the screw and fix the cable with screwdriver.



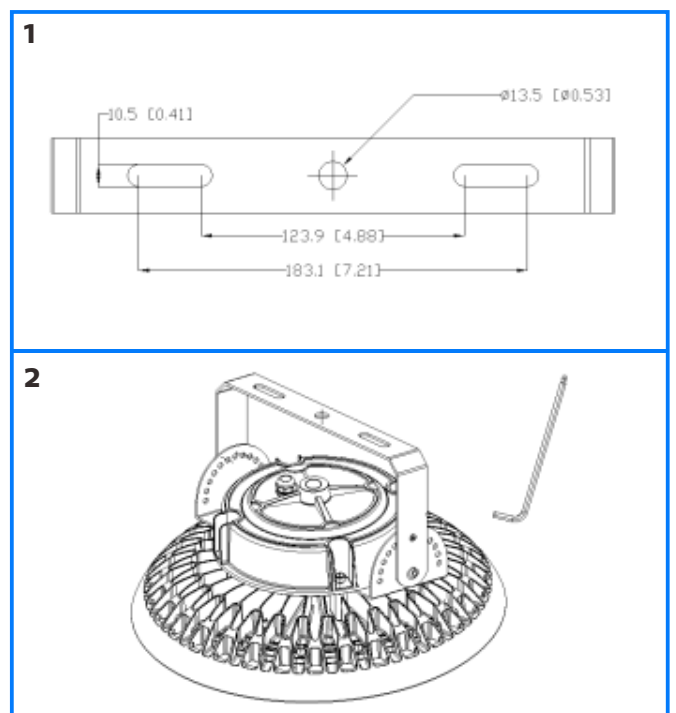
Loop Hanging

1. Take out the light fixture and match with the hang or chain in the ceiling.
2. Connect the safety chain to a fixed support.
3. Connect the wires according to the wiring diagram.



Adjustable Surface Mounting

1. Drill 2 holes in the ceiling or wall according to the size of U-bracket.(Figure 1)
2. Tighten the light fixture with expand screws or M10 bolts.
3. Connect the wires according to the wiring diagram.
4. Loosen fixed bolts with screwdriver and adjust the right position.
5. Fasten the fixed bolts.



INSTALLATION GUIDE
IMPORTANT SAFETY INFORMATION:

Please read all the instructions below before installation

- > Make sure that the supply voltage corresponds to the rated product voltage;
- > The product must be installed by a qualified electrician in accordance with the National Electrical Code and corresponding local codes.
- > If the product is damaged, do not use it!



Turn Off Power Supply

Wiring Diagram



RISK OF PERSONAL INJURY – READ and follow all WARNINGS and installation instructions.

Keep or give to the owner for future reference.

- Risk of cuts:** Wear gloves to prevent cuts or abrasions when removing from carton, handling, installing, and maintaining this product.
- Risk of electric shock:** This product must be installed in accordance with the applicable installation code by a person familiar with the construction and operation of the product and the hazards involved.
- Risk of Fire:** Minimum 194°F supply conductors. Consult a qualified electrician to ensure correct branch circuit conductor.

DUALWAYS® assumes no responsibility for claims arising out of improper or careless Installation or handling of this product.

Packaging Information

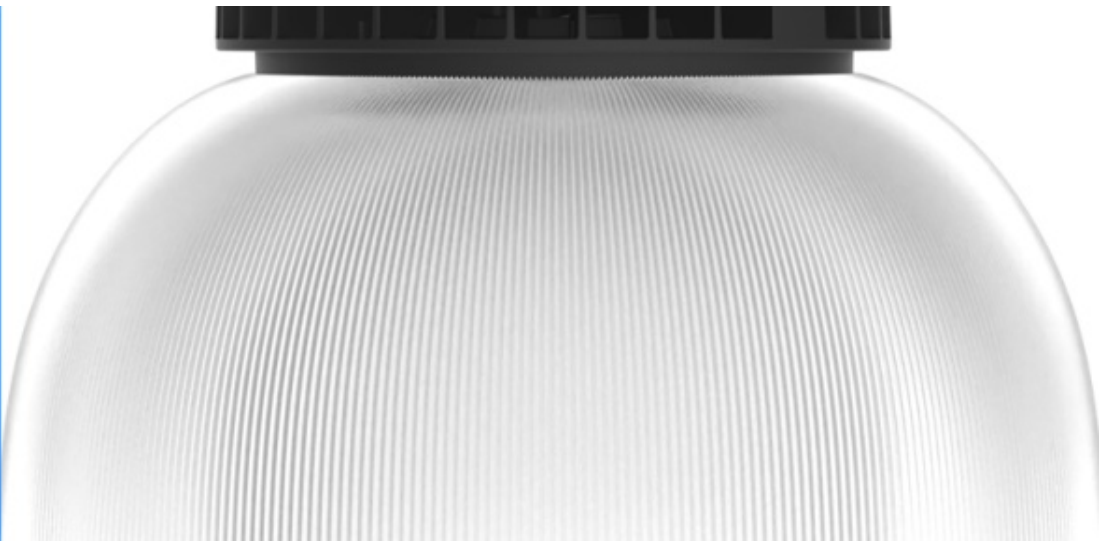
Model No.	Net Weight/Kg	Outer Carton Size/mm	Gross Weight/Kg	QTY"/CTN
DR-HB100-XGXP	2.2	320*320*165	2.9	1PCS
DR-HB150-XGXP	2.4	355*350*165	3.1	1PCS
DR-HB200-XGXP	2.5	410*410*175	3.3	1PCS

Details Demo



ADC12 Die-castign
 Al,Integrally Mold
 Forging,Excellent
 Thermal
 Conductivity>>>

60°/90° (with
PC/Al Cover)
/120°(with Al
Refelctor)
Reflector with
Low Glare>>>



Zigbee Wireless
Smart Control>>>



KNX Protocol
Device with KNX
Bus (2/4/8/12
Channel for Op-
tion)>>>



Application Reference

